

Huawei

HC-224 Exam

**Huawei Certified Datacom Professional - Fast Certification –
ENU**



Thank you for Downloading HC-224 exam PDF Demo

You can Buy Latest HC-224 Full Version Download

<https://www.certkillers.net/Exam/HC-224>

<https://www.certkillers.net>

Version: 7.7

Topic 1, Volume A

Question: 1

```
[SWA]display stp brief
```

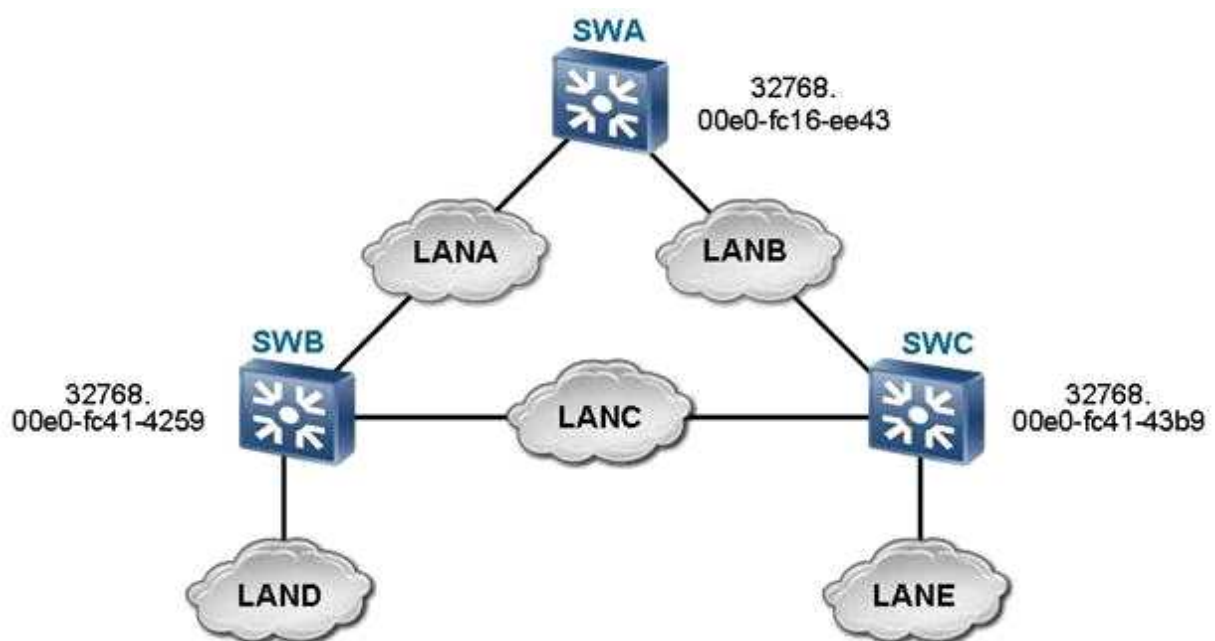
MSTID	Port	Role	STP State	Protection
0	Ethernet1/0/12	DESI	FORWARDING	NONE
0	Ethernet1/0/15	ROOT	FORWARDING	NONE
1	Ethernet1/0/12	DESI	FORWARDING	NONE
1	Ethernet1/0/15	DESI	FORWARDING	NONE
2	Ethernet1/0/12	DESI	FORWARDING	NONE
2	Ethernet1/0/15	ROOT	FORWARDING	NONE

On the MSTP network as shown in the figure, what is the role of the switch in MSTI 1 according to the configuration?

- A. Root switch
- B. Slave switch
- C. Non-root switch
- D. None of the above

Answer: A

Question: 2



As shown in the figure, which switch is the root switch according to the configuration?

- A. SWA
- B. SWB
- C. SWC
- D. None of the above

Answer: A

Question: 3

If an MSTP switch detects that the neighboring switch works in RSTP mode, which mode does the MSTP switch work?

- A. STP mode
- B. RSTP mode
- C. MSTP mode
- D. All of the above

Answer: B

Question: 4

Which problems on a single spanning tree network can be solved by MSTP? (Select 3 Answers)

- A. Traffic forwarding paths in some VLANs are faulty.
- B. Traffic cannot be load balanced.
- C. The second best path problem may occur.
- D. The network reliability cannot be improved.

Answer: A, B, C

Question: 5

```
[SWC]display stp brief
MSTID      Port                Role  STP State  Protection
0          Ethernet1/0/2       DESI  FORWARDING NONE
0          Ethernet1/0/3       DESI  FORWARDING NONE
0          Ethernet1/0/12      ALTE  DISCARDING NONE
0          Ethernet1/0/13      ROOT  FORWARDING NONE
1          Ethernet1/0/2       DESI  FORWARDING NONE
1          Ethernet1/0/12      ROOT  FORWARDING NONE
1          Ethernet1/0/13      ALTE  DISCARDING NONE
2          Ethernet1/0/3       DESI  FORWARDING NONE
2          Ethernet1/0/12      ALTE  DISCARDING NONE
2          Ethernet1/0/13      ROOT  FORWARDING NONE
```

According to the figure, what is the status of Ethernet1/0/13 in MSTI 1?

- A. Forwarding
- B. Discarding
- C. Learning
- D. None of the above

Answer: B

Question: 6

In RSTP, which statements about the alternate port and backup port are true? (Select 2 Answers)

- A. The alternate port is a backup of the root port.
- B. The backup port is a backup of the designated port.
- C. The switch that the backup port belongs to is not the designated switch on the network segment connected to the interface.
- D. The switch that the alternate port belongs to is the designated switch on the network segment connected to the interface.

Answer: A, B

Question: 7

According to the MSTP protocol, each MST instance calculates an independent spanning tree by using the RSTP algorithm.

- A. True
- B. False

Answer: A

Question: 8

The following is the command output on a root switch of an MSTP region. How many switches are located in the MSTP region?

- A. Less than 10
- B. Less than 20
- C. Less than 30
- D. Less than 40

Answer: C

Question: 9

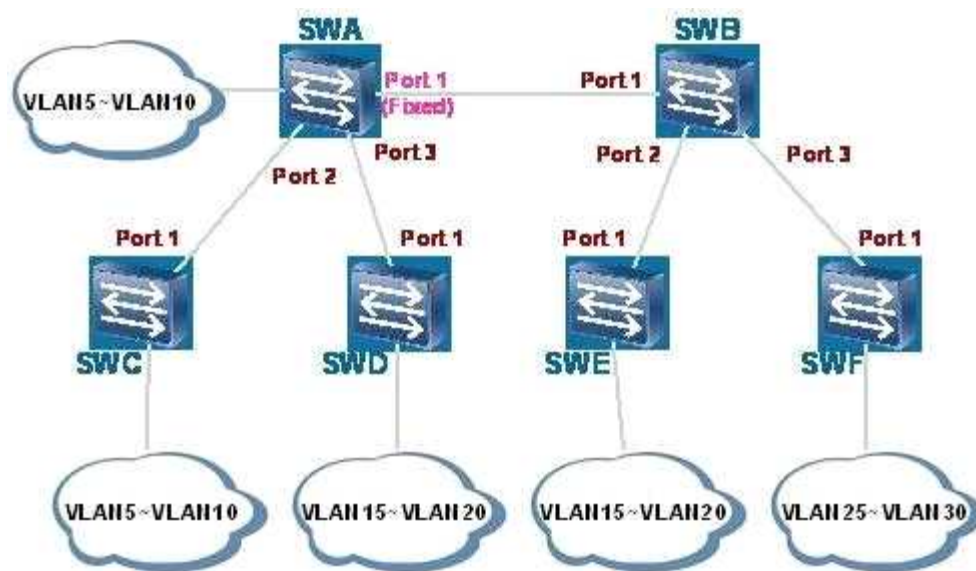
On the RSTP network with STP devices, which packets does an RSTP switch use to notify the STP switches of the topology change?

- A. RSTP BPDUs with the TC flag
- B. STP BPDUs with the TCN flag
- C. RSTP BPDUs with the TCA flag
- D. STP BPDUs with the TCA flag

Answer: B

Question: 10

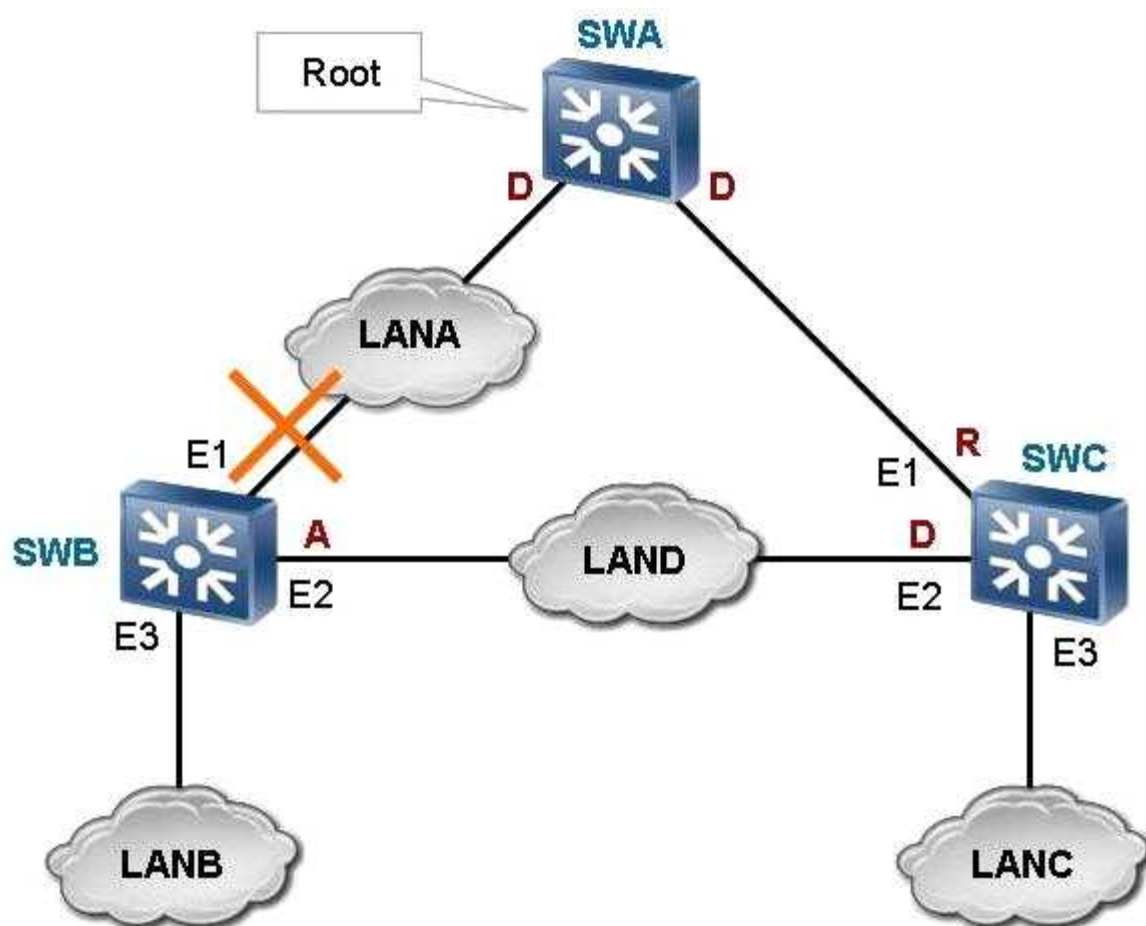
What are the same fields in RSTP BPDUs and STP BPDUs? (Select 2 Answers)



- A. TCN
- B. TC
- C. TCA
- D. All of the above

Answer: B, C

Question: 11



On the RSTP network as shown in the figure, what RSTP operations will occur after the E1 port of SWB fails? (Select 3 Answers)

- A. SWB deletes the MAC address entries with the E1 port as the destination interface.
- B. The spanning tree is recalculated and the E2 port is elected as the new root port.
- C. All the interfaces in forwarding state send topology change notifications (TCNs) to notify other switches of the topology change.
- D. All the non-edge ports in forwarding state send TCNs to notify other switches of the topology change.

Answer: A, B, D

Question: 12

Which is the port state defined in RSTP?

- A. Discarding
- B. Learning
- C. Forwarding
- D. All of the above

Answer: D

Question: 13

RSTP has all functions that STP has and it is backward compatible with STP.

- A. True
- B. False

Answer: A

Question: 14

RSTP adopts fast convergence mechanism. So, there is no Forward Delay interval in RSTP.

- A. True
- B. False

Answer: B

Question: 15

Two switches are directly connected to each other and they are working in full duplex mode. By default, RSTP will consider the link between the switches as point-to-point link.

- A. True
- B. False

Answer: A

Question: 16

In RSTP network environment, a port can be set as edge port when it is directly connected with terminal.

- A. True
- B. False

Answer: A

Question: 17

Which of the following statements about RSTP and STP is true?

- A. STP has more port states than RSTP.

- B. The port roles used in RSTP is less than the port roles used in STP.
- C. Since RSTP adopts fast convergence mechanism, it does not have Learning state which is available in STP.
- D. Same as STP, the ports will enter into Listening state once the RSTP has been enabled. Then, the ports can receive BPDU and calculate the spanning tree.

Answer: A

Question: 18

In a switching network that runs RSTP, the topology change notification message will not be sent when the switch detects that the Alternate Port is failed.

- A. True
- B. False

Answer: A

Question: 19

When the topology of a network running RSTP changes, what happens after the change?

- A. Flooding on the entire network.
- B. The aging time of MAC address entries is changed.
- C. Some MAC address entries are deleted.
- D. All of the above

Answer: C

Question: 20

Which ports defined by RSTP cannot work in Forwarding state? (Select 2 Answers)

- A. Root Port
- B. Designated Port
- C. Backup Port
- D. Alternate Port

Answer: C, D

Question: 21

On an RSTP network, when an edge port is in protected state, what operation is performed after the edge port receives BPDUs?

- A. The edge port forwards BPDUs.

- B. The edge port discards BPDUs.
- C. The edge port is shut down.
- D. The edge port obtains required information from BPDUs.

Answer: C

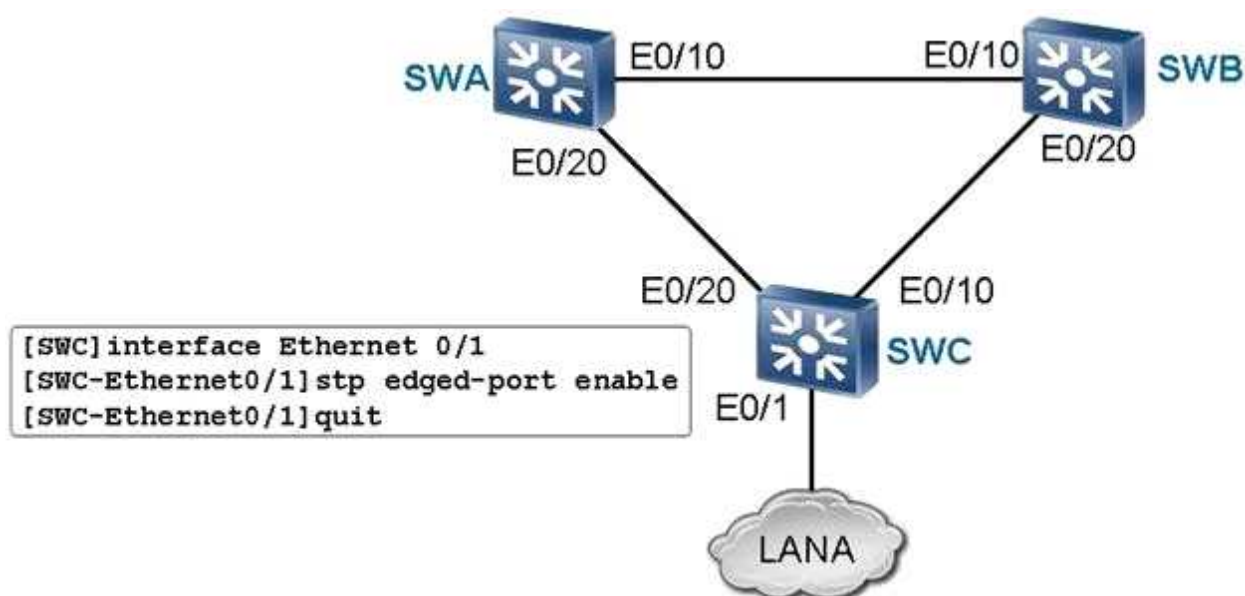
Question: 22

In RSTP, the port status can be discarding and learning. Which statements about the port status are true? (Select 2 Answers)

- A. The port in discarding or learning state does not forward data frames.
- B. The port in discarding state does not learn MAC addresses.
- C. The port in learning state does not learn MAC addresses.
- D. All of the above

Answer: A, B

Question: 23

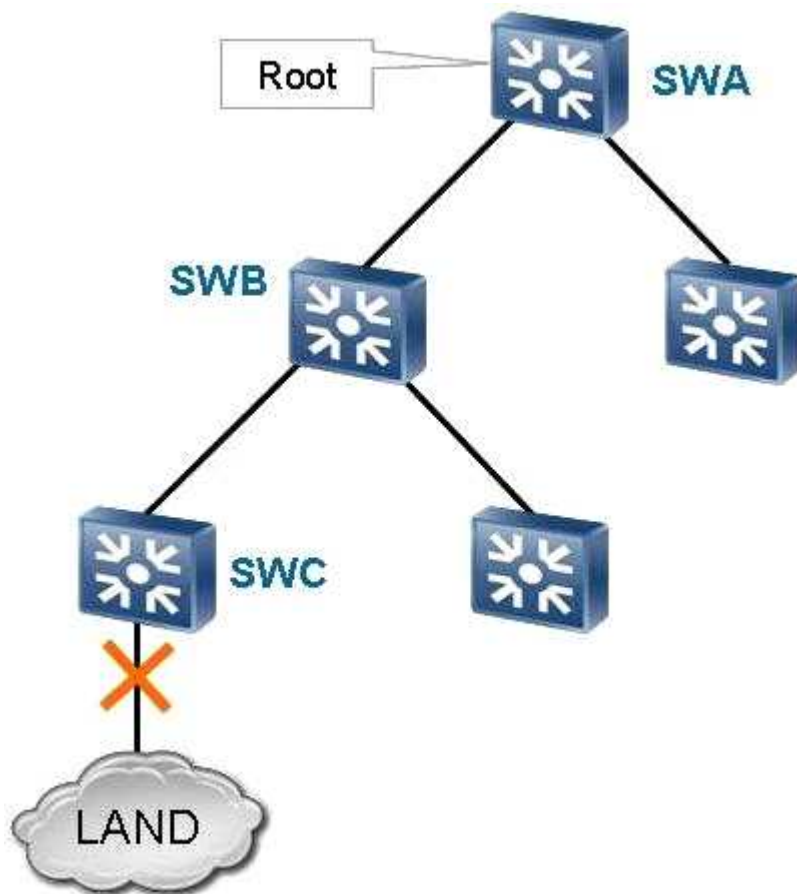


On the RSTP network as shown in the figure, what is the port role of SWC E0/1 according to the configuration? (Select 2 Answers)

- A. Designated port
- B. Root port
- C. Alternate port
- D. Edge port

Answer: A, D

Question: 24

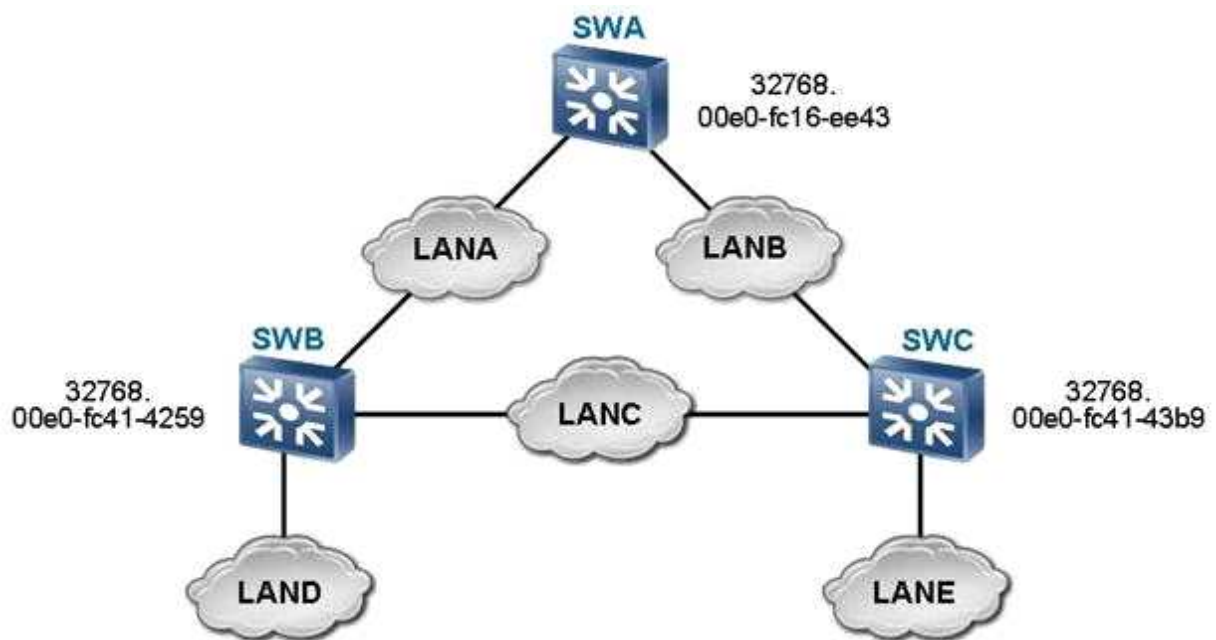


As shown in the figure, when the link between SWC and LAND is faulty, through which path are TCA BPDUs sent?

- A. From SWA to SWB
- B. From SWB to SWC
- C. From SWB to SWA
- D. From SWC to SWB

Answer: B

Question: 25



As shown in the figure, when the STP network runs properly, which device does the designated port of LANC reside?

- A. SWA
- B. SWB
- C. SWC
- D. None of the above

Answer: B

Thank You for trying HC-224 PDF Demo

To Buy Latest HC-224 Full Version Download visit link below

<https://www.certkillers.net/Exam/HC-224>

Start Your HC-224 Preparation

[Limited Time Offer] Use Coupon “CKNET” for Further discount on your purchase. Test your HC-224 preparation with actual exam questions.

<https://www.certkillers.net>